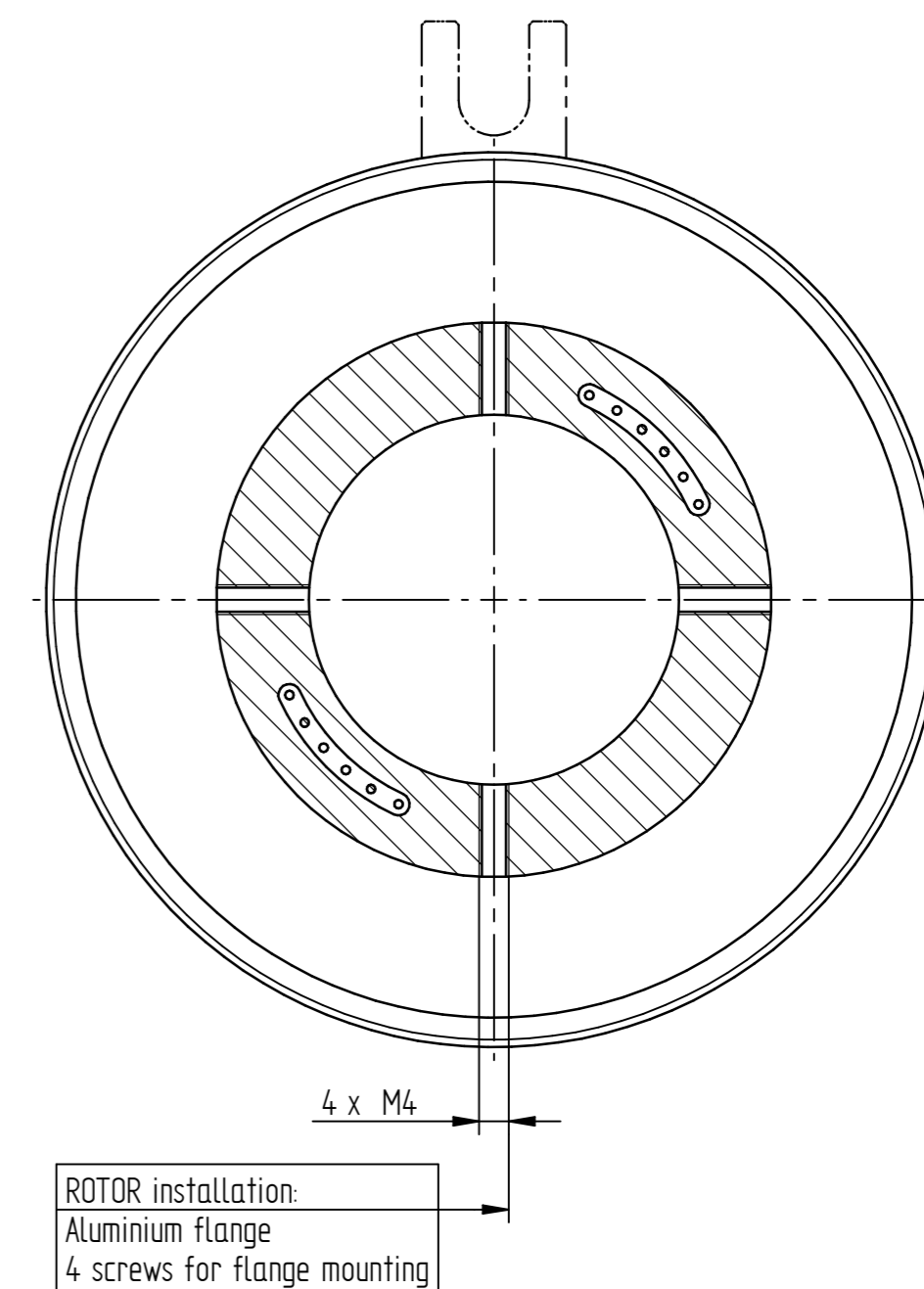
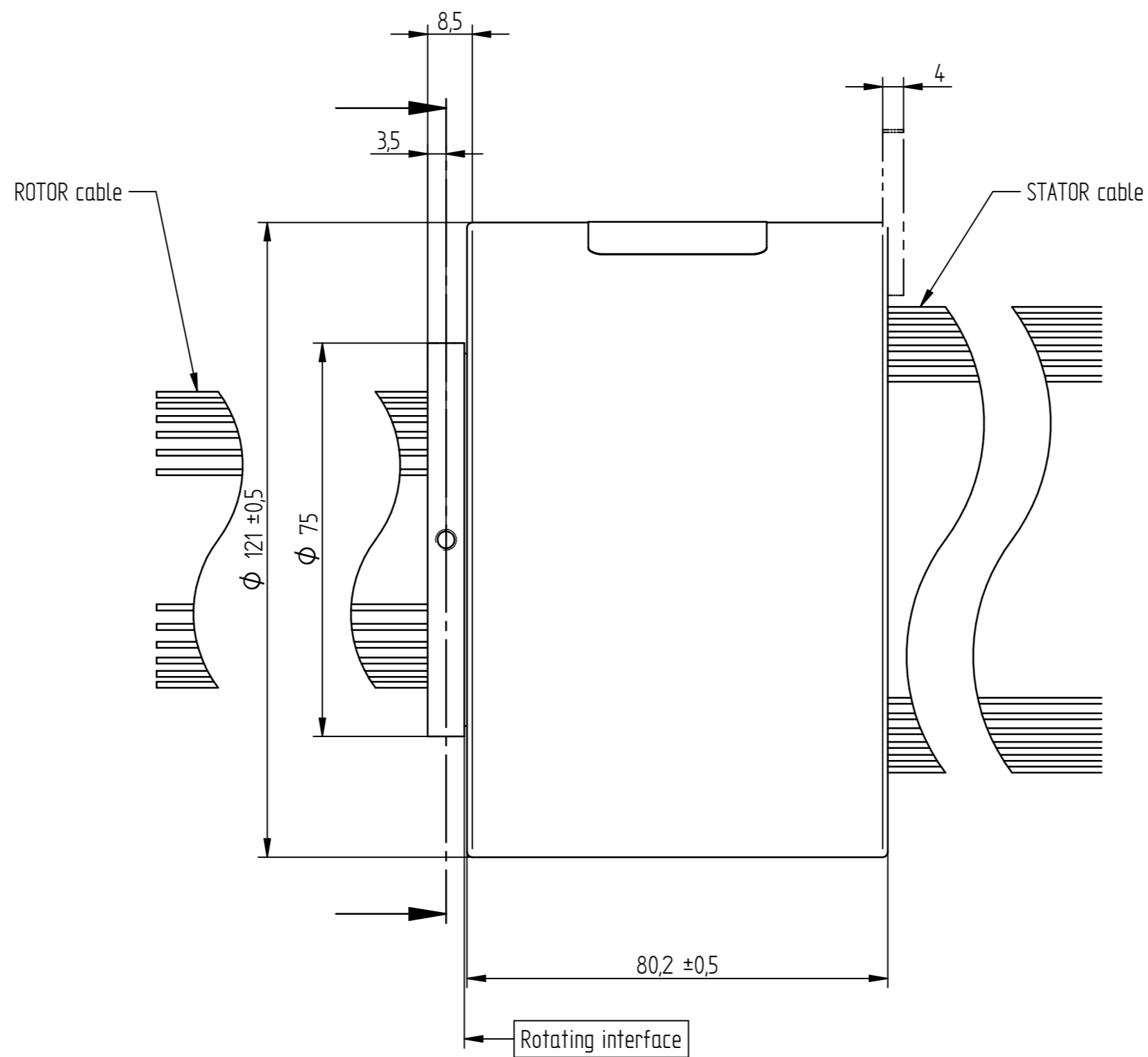


STATOR installation:
Anti-rotation tab to be mounted optionally, see manual
Anti-rotation tab is enclosed in the packaging



ROTOR installation:
Aluminium flange
4 screws for flange mounting

All parts and components shown in this document are originally created and developed at Schleifring GmbH Germany and a private or a civil application. Any customization has no impact on origin and export classification.

ELECTRONIC & ELECTRIC		MECHANICAL	
Rating Voltage	250 V AC / DC or 400 V AC	Working Speed	300 rpm max.
		Inner Diameter	$\phi 50,0$
		Contact Material	Precious Metals
Current	10 A	Lead Wire Length	STATOR: 250 mm ROTOR: 250 mm
Track	12	/	/
Insulation Resistance	500 M Ω @ 500 V DC	/	/
ENVIRONMENT		REMARKS	
Working Temperature	-20 °C to +60 °C	Application	see Manual
Working Humidity	$\leq 60\%$ RH	Other	/
Protection Class	IP50	Note:	/

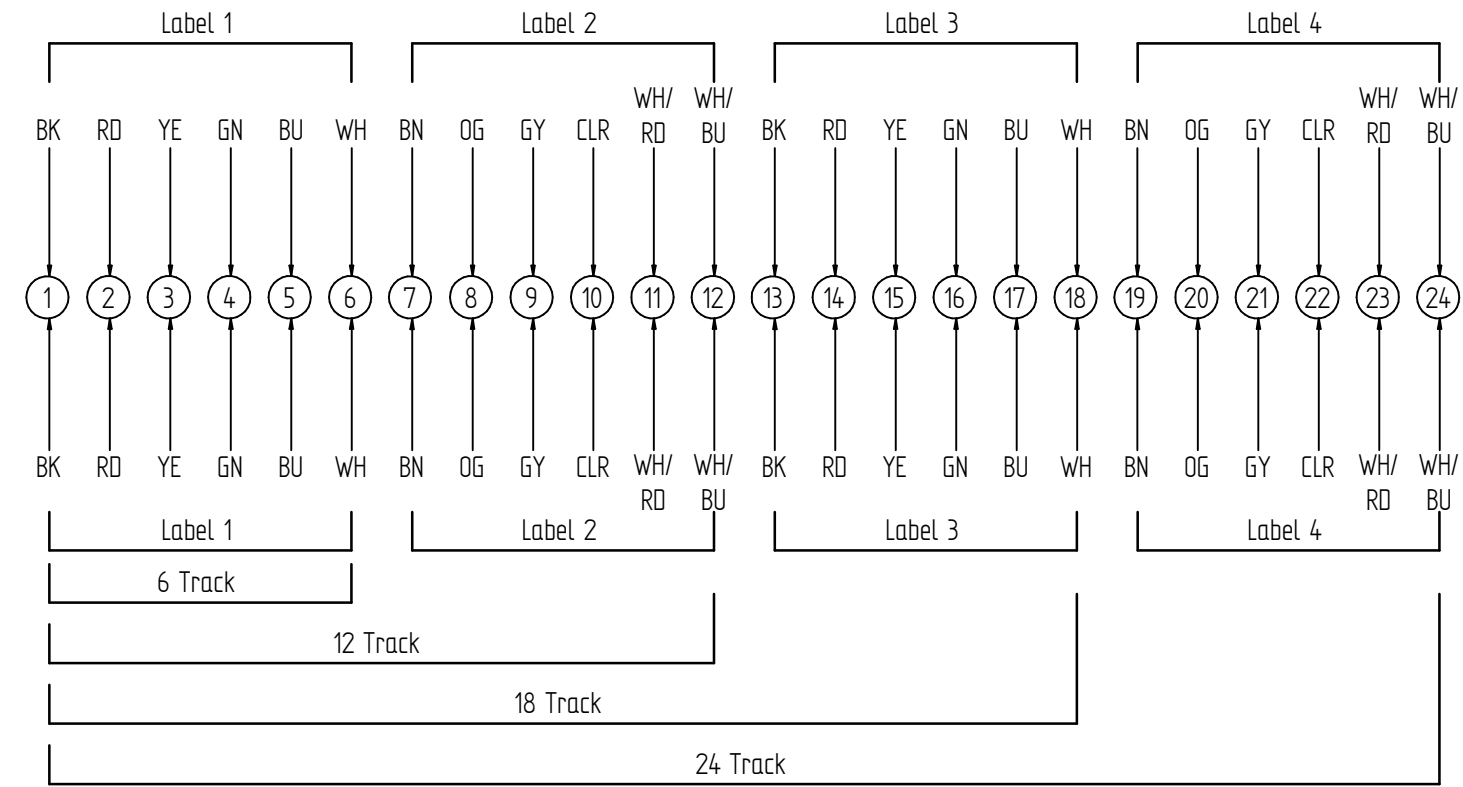
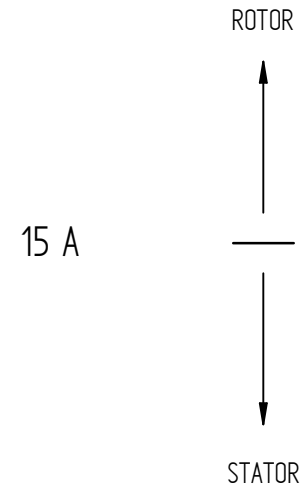
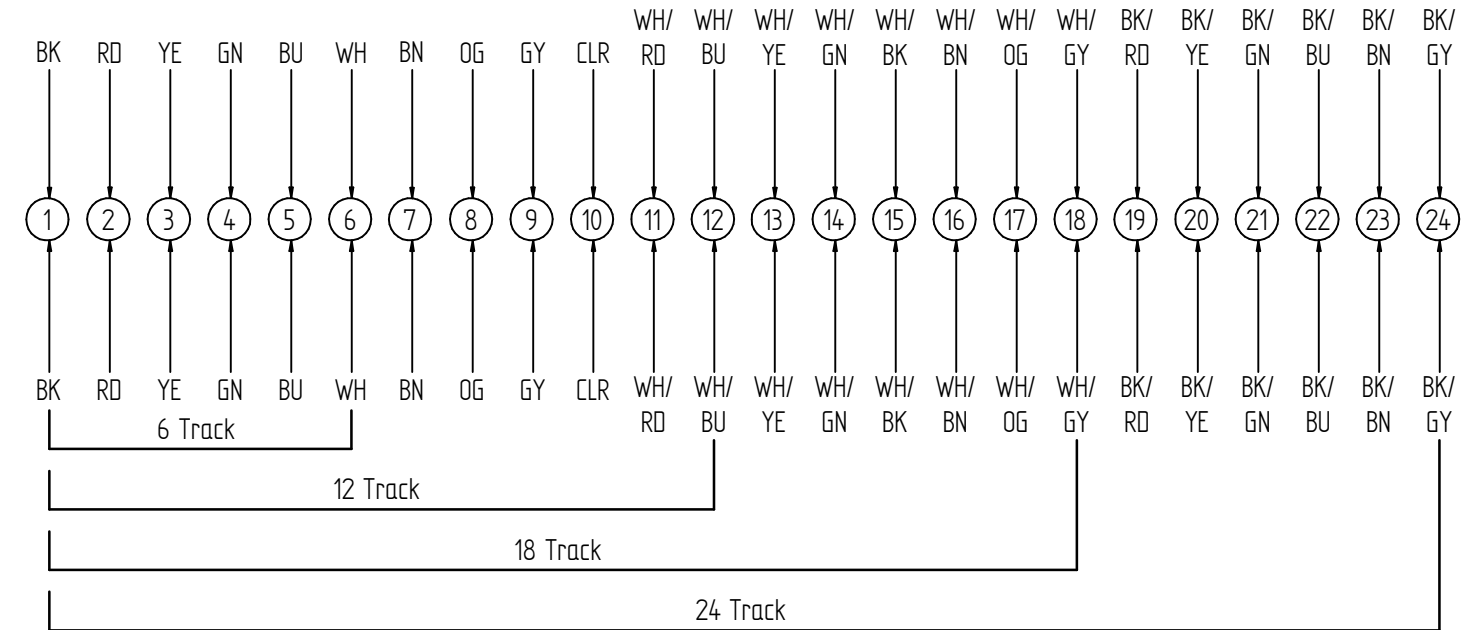
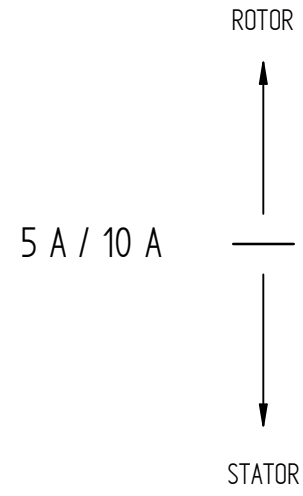
Wiring diagramm see sheet 2

Die Montageanleitung 7BC000000 wird elektronisch bereitgestellt.
The assembly instruction 7BC000000 is provided in electronic format.

10	1	70C000004	Maverick Schleifring 12-Weg 10A / 400V		
Pos.	Anz.	Mat.Nr.	Kurztext	GroÙe/Abmessung	Werkstoff
1	2	3	4	5	6
DIN ISO 5456-2	TOLERANCES	DIN ISO 13715	FINISH	SCALE	REFERENCE 2
	ISO 2768 - mH	+0,3 +0,1	-0,1 -0,3	1:1	WEIGHT
			MATERIAL	0,001 kg	REFERENCE 1
STANDARDS	DWG NO	REVISION	FIRST RELEASE	28.07.2021	
ISO 8015 ISO 14405	77C000004	B1	DESIGNER	CREITER	21.11.2022
			APPROVED	AGREPPMAYR	21.11.2022
	DESCRIPTION	CHANGE NO	200120151		
	Maverick Slip Ring 12-Track 10A	DOCUMENT TYPE	Kundenzeichnung		
	SIZE/DIM	SHEET	1/2		
Draft: 1000955650/D02/000/02				Modell: 1000955650/D00/000/02	
				A2	

All drawings are the property of Schleifring GmbH/ Germany and are to be treated as confidential. The reproduction, distribution and utilization as well as the communication of its contents to others without express authorization is prohibited. Offenders will be held liable for the payment of damages. All rights reserved in the event of the grant of a patent, utility model or design.

Cable Table	
Current	Cable
5 A / Signal	AWG17
10 A	
15 A	AWG14



DIN ISO 5456-2 	TOLERANCES ISO 2768 - mH	DIN ISO 13715 	FINISH MATERIAL	SCALE 1:1	REFERENCE 2
STANDARDS ISO 8015 ISO 14405	DWG NO 7KC000004	REVISION B1	FIRST RELEASE	28.07.2021	
Beschreibung Maverick Schleifring 12-Weg 10A			DESIGNER	CREITER	21.11.2022
DESCRIPTION Maverick Slip Ring 12-Track 10A			APPROVED	AGREPPMAYR	21.11.2022
SIZE/DIM.			CHANGE NO 200120151	SHEET 2/2	
DRAFT: 1000955650/D02/000/02			MODELL: 1000955650/D00/000/02		A3

